



SECA AGRICULTUREL MACHINERY



ONION AND GARLIC PLANTING MACHINES

MODELS (4-5-6-8-10-12 ROWS) USER MANUAL

Karadeniz Mah.Dumansız 15.sokak Mermerciler Sitesi No:5

Süleymanpaşa TEKİRDAĞ /TÜRKİYE

TEL : +09 0282 261 65 75 FAX : +09 0282 261 65 75

www.secatarim.com.tr



MODEL TYPE:

MACHINE SERIAL NO:

SELL BY:

ACCESSORIES:

NOTE:

SELLER STAMP

CUSTOMER NAME AND ADDRESS:

Our dear customer;

First of all, thank you for choosing SECA TARIM MAKİNALARI. Thank you.

This guide is SECA TARIM MAKİNALARI branded Onion and Garlic Planting. It covers the maintenance and usage information about the (planting) Seeder.

Our Products SECA AGRICULTURAL MACHINES - SENOL CALISKAN's total Produced in accordance with quality principles. In this understanding of quality, Onion and To operate the Garlic Sowing (planting) Seeder with high efficiency and economy Read this entire manual carefully before you start using our machine. read.

Except for the information specified in this manual, made contrary to the recommendations and instructions. The operator will be responsible for the outcome of the transaction.

The service life of the machine is 10 years.

The warranty period of the machine is 2 years and the repair period of the machine is 30 business days.

Complete this manual before you start using our machine. be sure to read it carefully.

Karadeniz Mah.Dumansız 15.sokak Mermerciler Sitesi No:5 Süleymanpaşa

TEKİRDAĞ /TÜRKİYE

TEL : +09 0282 261 65 75 FAX : +09 0282 261 65 75

www.secatarim.com.tr

INTRODUCTION AND TECHNICAL FEATURES

Onion and garlic seeds in the same order, desired amount and a tractor-towed type that leaves the ground uninterruptedly at a depth of is a machine. With the belt system placed separately in the seed tank The desired amount of seed is thrown. 4- 5-6 - 8 - 10 - 12 rows can be manufactured. Road and planting condition; tractor lift It can be adjusted with a hydraulic lift system or hydraulic lifts.

General Features of the Machine:

4-5- 6 – 8 – 10 – 12 6 of the seeders we manufacture in rows variety is available. Onion-garlic and similar seeds, in the same order Trailed type that leaves uninterruptedly at desired amounts and depth It is a mechanical machine. The seed tank of the machine is supported by a piston.It is movable back and forth. The belts (bands) carrying the seed are separated from each other.Depth adjustment of each unit individually in SC1 models In SH1 models, depth adjustment, corded main movement All of the planting axes are made at the same time.

Seed Sowing Depth and In-Row Adjustment:

Seeds from the tank, from the seed telescoping path to the undercarriage pipelt is poured into the channel opened by the ax. axes that provideThe wheels from behind cover the seeds. Small wheels allow it to be planted at the desired depth and size. The higher the wheels are lifted, the higher the planting ax.

enters the ground. Depending on the field and field conditions, these settings are should be observed by

Gears on both sides of the machine, rows of seeds
(See the values in Table-1.)

The grooves that occur at the time of sowing are the sowing channel from the back to the soil. with the spring-connected seed covering system that comes by creeping turns off. The remaining opening is used as a rain supply channel. It provides water flow by feeding the seeds.

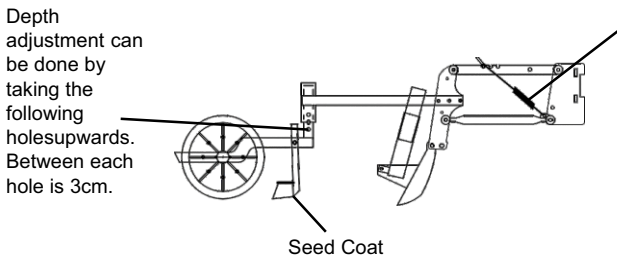
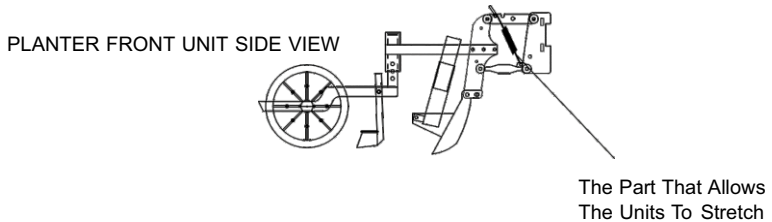
SEED UNIT and DEPTH ADJUSTMENT

Depth adjustment is made by the wheels that move the machine and the wheels with plastic rims behind each unit.

The 40x40 profile, to which the wheels of the units are connected, is connected to the 50x50 profile with a pin and bolt. When the 40-profile profile is taken upwards, the depth will increase.

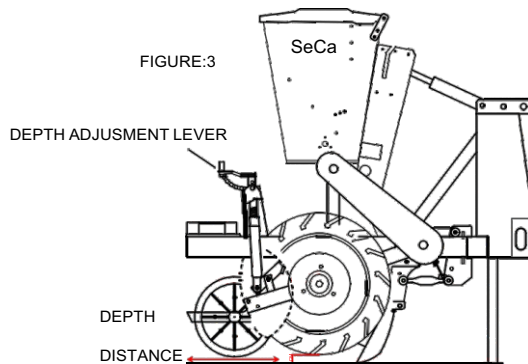
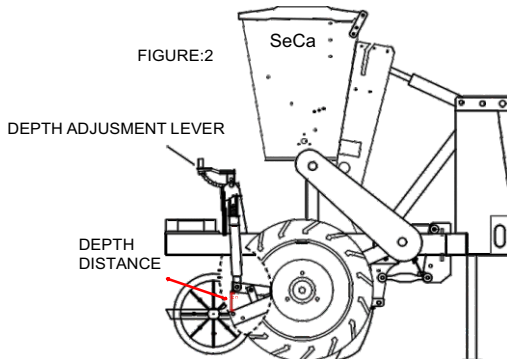
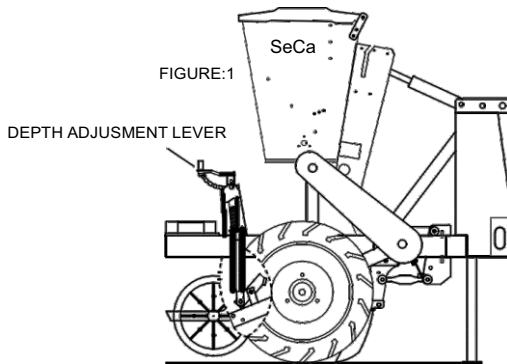
The machine is taken to a flat surface, the counter bolt in the 50' profile is loosened, the pin is removed, taken to the desired depth, the pin is inserted and the loosened bolt is tightened. The gaps between the holes in the profile are 3 cm. Depending on the soil preparation condition or if it was prepared too rough, the depth of the machine should also be taken into consideration.

If the sowing depth in the units is more or less, the necessary adjustment is made by large wheels that move the machine. Adjustment is made from the lever to which the wheels are attached. If the wheels are moved upwards, the depth increases and if they are pressed down in the same way, the depth will decrease. See the diagrams below.



PLANTER REAR UNIT SIDE VIEW

DEPTH ADJUSTMENT CHART



In FIGURE 2, the depth adjustment is at this position in the field.
The cultivator gets up and the ax enters the ground.

SEED GRADE TABLE

NUMBER OF GEAR	Seed to be planted on 1000m ² (kg)	SEED FALLING INTERVALS
11	140	4-6cm
13	120	6-8cm
15	100	8-10

NOTE: KG AND DROPPING ACCORDING TO SEED SIZE DISTANCES and KG CAN VARY.

Machines with (4-5-6 rows located on both sides of the seed tank excluding) 3 different sizes of gears per decare (1000 m²) at the desired rate It allows the planting of seeds to be dropped.

These gears are changed by sliding. By releasing the spring that stretches the chain, Loosen the bolt on the tooth and bring it to the desired gear.

The number of teeth of the gears is 11,13,15. With this movement, the belts start to turn. The spoons on the belts starts to pick up seeds. Misfire brush to drop excess seeds touches.

As seen in Table-1, for planting the desired amount of seeds suitable for selecting the appropriate kg and adjusting the seed drop intervals gear must be selected.

MATTERS TO APPLY

BEFORE USING

- Adjust the seed setting (kg, cm).

- Attach the machine to your tractor so that it is parallel to the chassis.
- Check the seed cover system.
- Check if there are foreign substances in the seed.
- Seeds must be dry and clean.
- Make the seed depth adjustment.
- If the brushes on the bottom of the tank are broken, replace them.
- Check the oil of your machine, which is fully lubricated at the factory. do it.

DURING USE

- Fill the seed tank (empty between the straps and the compartment) should stay)
 - Check the depth by looking at the seeds in the planted areas.
 - Observe whether the embedded feet are clogged.
 - Check the motion system during operation.
 - There must be someone behind the machine and every now and then the seeds should mix.
 - There is a dividing sheet in the seed tank of the machine. Small size dividing hair is lowered in seeds way. In large-sized seeds, hair is removed
 - When planting small size seeds, tilt the tank back, or stand upright. hold. Adjust according to the situation. Tilt the seed hopper forward for large seeds, or stand upright hold on. Adjust according to the situation
 - If the field is heavy (muddy) at the time of sowing, the seeds of the front units a spring-tied seed in front of the burying little wheels

One or both of the shrouds can be removed. Both covers cannot be removed at the same time.

AFTER PLANTING

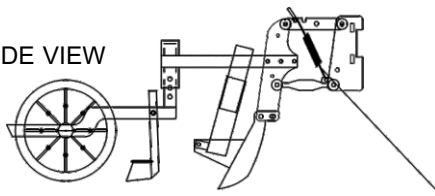
Before the seeder is taken to the garage, the seed boxes must be emptied and should be cleaned and washed well with water. Dust and soil should be stored in the tank and may damage the excretory organs by filling them. By removing the seed pipes should be kept in a bag. Gears and lubrication of the machine. The required surfaces should be well lubricated and the seeder should be pulled into the garage and placed on the chock. should be taken. If the machine is kept outdoors, it should be tented.

PREPARATION OF THE SEED NORM

In the preparation of the sowing norm, in the quantities specified on page 5 The seed is filled in the tank of the machine in the forms indicated in the table kg is adjusted.

The Planting Unit:

PLANTER FRONT UNIT SIDE VIEW



The Part That Allows
The Units To Stretch

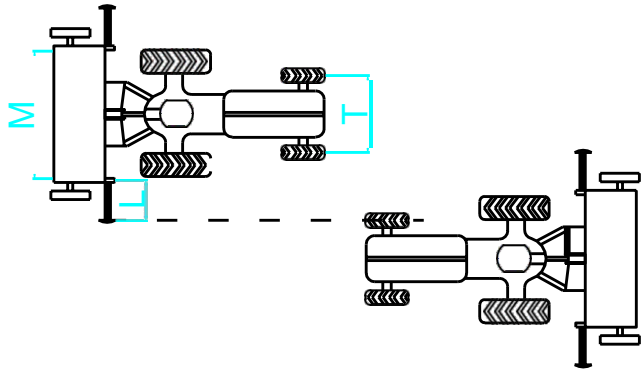
Depth



SeCa AGRICULTURAL MACHINERY SPECIFICATIONS

EKİCİ ÜNİTE SAYISI Number of Coulters	ADET PCS	4	5	6	8	10	12
SIRA ARASI MESAFE Distance Between Rows	cm	25	22	22	22	22	20
EKİM GENİŞLİĞİ Work Width	cm	75	88	110	154	198	220
TAŞIMA UZUNLUĞU Length	cm	190	190	190	190	190	190
TAŞIMA GENİŞLİĞİ Width	cm	152	164	185	230	275	300
YÜKSEKLİĞİ Height	cm	153	153	153	153	153	153
TOHUM DEPO KAPASİTESİ Seed Tank Volume	kg	60	65	80	100	120	140
LASTİK BOYUTU Tire Size		500X12	500X12	500X12	500X12	500X12	500x12
AĞIRLIK Weight	kg	320	400	480	640	800	900
GÜÇ GEREKSİNİMİ Required Power		35-40HP	45-50HP	50-55HP	50-60HP	60-70HP	65/75HP
EKİLEN ALAN sa/m2		1500m2	2000m2	2500m2	3500m2	4500m2	5000m2

If there are any row and other features you want, tell us.



Sample:

We want to plant according to the following features;

Distance between Rows number=10 Planting Width=198cm

Onion and Garlic will be added to the 1000m² area (decare)

These steps are followed when planting width is found;

9x between rows(22)=198cm.

FORMULA:

$$L = \frac{(M+S)-T}{2} \quad L = \frac{(198+22)-150}{2} \quad L = \frac{70}{2} \quad L=35\text{cm}$$

The machines guide will be opened at the top of the unit 35cm.

The line drawn by the guide will center the tractor on the front wheel

NOTE: The above diagram is valid for machines with 10-12 rows.

ATTENTION DURING TRANSPORT AND SHIPMENT MATTERS

- While the machine is transported by a tractor or any towing vehicle;

Necessary lighting equipment must be in working condition

- The permissible speed limit for the tractor is 20 km/h. Speed

Let's follow the rules.

- Tire air pressure should be sufficient and brake equipment should be must be in working condition.

- In case the machine is transported by transport vehicles; friction and must be protected against hard impacts.

- During the transportation of the machines loaded on the transport vehicle necessary fixation and protection against impacts and frictions.fixing materials should be used

ASSEMBLY AND PREPARING THE MACHINE FOR USE

When the machine is attached to the tractor, the tractor is brought closer to the machine and Tractor is connected via middle arm and hydraulic arm. Footrest are removed and brake and lighting equipment are mounted.

SAFE OPERATION OF THE MACHINE

Before the machine is put into use, the adjustment mechanisms should be checked. should be done. Tires, springs and hydraulic hoses aging over time seed hoses should be replaced. Machine at the end of each run should be cleaned and stored in a suitable environment.

SAFETY INSTRUCTIONS FOR USE

1. Make sure to stop the machine while making adjustments.
2. When mounting the machine to the tractor, lower the front weights of the tractor. Insert enough to balance.
3. Brake and lighting before starting the machine Make sure your hardware is plugged in and working.
4. Make sure that the load distribution on the machine is even.
5. Nobody near the machine while loading and unloading.
should not exist.
6. Do not place unnecessary loads and objects on the machine.
7. Absolutely no people should be transported on the road. Opposite may cause serious accidents.

MAINTENANCE INSTRUCTIONS

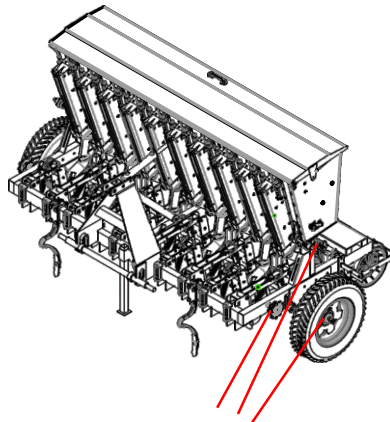
Daily Care

1. Oil control,
2. Gear control,
3. Tire pressures,
4. Hydraulic hoses and connections,
5. Connection pins and bolts should be checked, grease the grease nipples.
should be printed.

Annual Maintenance

1. At the end of the work, clean the machine.
2. Check all parts of the machine. damaged, worn
or if there are unusable parts, replace them with new ones.
3. After cleaning the machine, keep it in a closed place.

Please pay.



**AREAS TO BE
LUBRICATED**

USE ERRORS		
MALFUNCTION (FAULT)	REASON	SOLUTION
If the motion chain does not turn	The chain may have come between gears. The chain may be broken or discarded. Gears may be lean.	The chain must be cleaned or a new chain must be installed. Gears must lubricate
If the belt is broken or jammed	There may be foreign substances in the seed. Small pieces of garbage may have fallen between the strap and the spool	The belt must be removed and cleaned. Clean and dry seed should be placed.
If the adjusting gear is thrown and tries to get on the gear.	Probably, the gears are not aligned (abreast)	Loosen the screw of the gear, rotate it one turn to empty and then tighten it again.
If the planter unit is stationary, does not sink into the ground.	The unit's bolts may be stuck for any reason	The screws joining the unit should be slightly loosened.
If the straps are missing on the edges and rubbing against each other	The tension adjustment of the belts has escaped.	The side where the belt is close and the side where the belt is rubbed should be stretched to stabilize the belt.
If the wheels are turning and one of the chain gears is not turning	The gear may have run out of oil. (Because of work)	The gear must be removed and lubricated.

CE



We wish your harvest is abundant, your crop is fertile ...



SECA TARIM MAKİNALARI®

EC-Declaration of Incorporation
AT Üretici Beyanı

SECA TARIM MAKİNALARI – ŞENOL ÇALIŞKAN
Karadeniz Mah.Dumansız San.Mermerciler Sitesi No:5
SÜLEYMANPAŞA/TEKİRDAĞ /TÜRKİYE
TEL : +09 0282 261 65 75 FAX : +09 0282 261 65 75
www.secatarim.com

Üretici / Manufacturer : SECA TARIM MAKİNALARI – ŞENOL ÇALIŞKAN
Adres / Adress : Karadeniz Mah.Dumansız San.Mermerciler Sitesi No:5
SÜLEYMANPAŞA/ TEKİRDAĞ /TÜRKİYE
Ürün Açıklaması / Production Description : Soğan Ve Sarımsak Ekim Mibzeri/ onion and garlic seed drills
Marka/Brand : SECA TARIM MAKİNALARI – ŞENOL ÇALIŞKAN
Seri No/Serial Number : SC-1/HC-1
Tipi/Type : 6 – 8 – 10 – 12 SIRALI(ROWS)
İmal Tarihi/ Date of manufacture : 2021

Deklerasyon / Declaration

SECA TARIM MAKİNALARI – ŞENOL ÇALIŞKAN olarak yukarıda bilgileri verilmiş olan ürünün aşağıdaki Avrupa Birliği direktiflerine, Standartlara ve bunların gerektirdiği şartlara uygun olduğunu beyan ederiz.

On behalf of SECA TARIM MAKİNALARI – ŞENOL ÇALIŞKAN We declare that above information in relation on the supply/manufacture of this in product is in conformity with the below stated standarts. EC directives and provisions of them.

Avrupa Birliği Direktifleri / EC Directives

2006/42/AT : Makine Emniyet Yönetmeliği
2006/42/EC : Safety of Machinery Directive

Standartlar / Standarts

TS EN ISO 12100:2010 : Makinalarda Güvenlik - Tasanım İçin Genel Prensipler – Risk Değerlendirilmesi Ve Risk Azaltılması
EN ISO 12100:2010 : Safety of machinery - General principles for design - Risk assessment and risk reduction

TS 5690/1988 :Sıraya Ekim Makinaları (Traktörle Kullanılan)
TS 5690/1988 :Seed Drills for Sowing In Lines (Tractor Drawn)

TS 6424/1989 : Hassas Ekim Makinaları Deney Metodları
TS 6424/1989 : Test Methods for Precision Drill

TS 6425 :Sıraya ekim makinaları deney metodları
TS 6425 : Test Methods Seed Drills for In Lines

TS EN ISO 4254-1/2 : Tarım Makinaları Güvenlik Bölüm-1/2: Genel kurallar
TS EN ISO 4254-1/2 : Agricultural machinery- Safety-Part:1/2 Genel Requirements

We herby declare that our products described above is intended to be incorporated into other machinery and must not be put into service until the relevant machinery into which is to be incorporated has been declared in conformity whit the essential requirements of Council Directive 2006/42/AT Safety of Machinery.

SECA TARIM MAKİNALARI – ŞENOL ÇALIŞKAN beyanımızda sadece ürünümüzün montajı yapıldığı ve/veya birlikte kullanıldığı makinelerin 2006/42/AT Makine Emniyet Yönetmeliği temel gereklerini yerine getirdiği tespit edildiği durumlarda geçerlidir.

Responsibility for the preparation of the technical file owned by ŞENOL ÇALIŞKAN
Teknik dosyanın hazırlanmasında sorumluluk ŞENOL ÇALIŞKAN bey'e aittir.

Yayımlı / Issued by : SECA TARIM MAKİNALARI – ŞENOL ÇALIŞKAN
Yer-Tarih / Place-Date : Karadeniz Mah.Dumansız San.Mermerciler Sitesi No:5
SÜLEYMANPAŞA/ TEKİRDAĞ /TÜRKİYE 2021

Firma Adına Yetkili - Name of Authorized Representative : ŞENOL ÇALIŞKAN
Unvan / Title : Genel Müdür / General Manager

İmza / Signature :

NOTE:

.....

.....

.....

.....

.....

.....

.....

.....

.....

.....

.....

.....

.....

.....

.....

.....

.....

.....

.....

.....

.....

.....

.....

.....

.....

